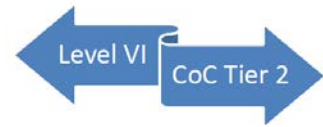




AC-DC 50W 6A-508DNXX



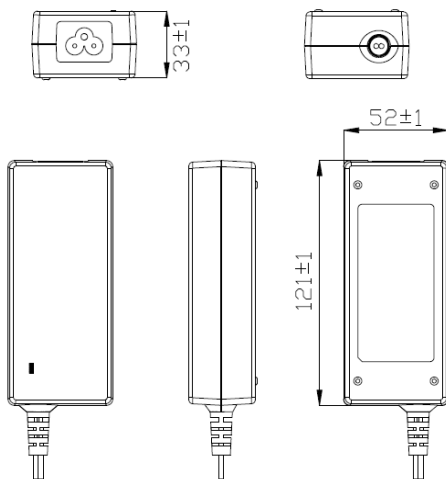
DESKTOP
(AC Inlet C6)



Features:

- IEC/EN 60335-1 & 61558-1 & 61558-2-16
- Universal AC Input 90~264Vac
- Regulated Output With Low Ripple Noise
- 100% burn in test
- 1 year warranty
- CEC,DoE Level VI,ErP Stage 2,CoC Tier 2,GEMS
- WEEE / ROHS 2.0 / REACH 2.0
- Safety : CE,CB

Dimension:



| Model No. | O/P Voltage | O/P Current | O/P Watts |
|------------|-------------|-------------|-----------|
| 6A-508DN12 | 12.0V | 4.2A | 50.4W |
| 6A-508DN15 | 15.0V | 3.34A | 50.1W |
| 6A-508DN19 | 19.0V | 2.64A | 50.16W |
| 6A-508DN24 | 24.0V | 2.08A | 49.92W |
| 6A-508DN48 | 48.0V | 1.05A | 50.4W |

Specification:

| | | |
|-------------------|--|---|
| Input | Voltage | AC 90V~264V Universal Full Range |
| | Frequency | 47-63Hz |
| | Current | 1.2A |
| | Leakage Current | < 3.5mA |
| Others Protection | Start up time | < 3000mS @115VAC Full Load |
| | Rise time | <20mS |
| | Hold up time | >20mS @ 230Vac/50Hz input |
| | Protection | OCP/OVP/SCP |
| | Cooling | Natural Convection Cooling |
| Environment | Temperature | Operating: 0~40°C;Storage: -10~+70°C |
| | Humidity | Operating: 20%~85%;Storage: 10%~95%(Non Condensing) |
| M.T.B.F | 50k Hours MIL-HDBK-217F @115VAC/ 230VAC Full Load Ambient : 25°C | |
| Safety Regulation | IEC/EN 60335-1 & 61558-1 & 61558-2-16 | |
| EMC | EMI | EN55014-1 , EN61000-3 |
| | EMS | EN55014-2 , EN61000-4 |
| Energy Efficiency | Average active efficiency | > 88% Min @ 230Vac / 50Hz input |
| | Efficiency at low load (10 %) | > 78% Min @ 230Vac / 50Hz input |
| | No-load power consumption | > 0.21W Min @ 230Vac / 50Hz input |

英格爾科技股份有限公司
ENG ELECTRIC CO.,LTD.

台灣桃園市龜山區民生北路1段536號5樓
5F., No. 536, Sec. 1, Minsheng N. Rd.,
Gueishan Dist., Taoyuan City 33393,
Taiwan (R.O.C.)