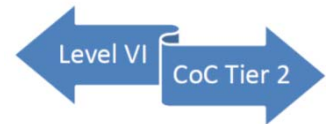




# AC-DC 90W

## 6A-901DAXX



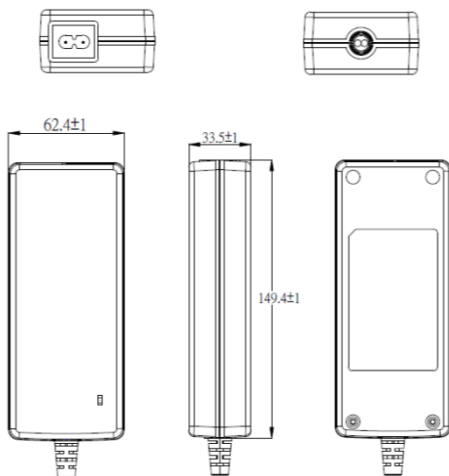
**DESKTOP**  
(AC Inlet C8)



**Features:**

- IEC/EN/UL/CUL 62368 & 60950
- Universal AC Input 90~264Vac
- Regulated Output With Low Ripple Noise
- 100% burn in test
- 1 year warranty
- CEC,DoE Level VI,ErP Stage 2,CoC Tier 2,GEMS
- WEEE / ROHS 2.0 / REACH 2.0
- Safety : UL/CUL,CB,CE,FCC,RCM

**Dimension:**



Model No.	O/P Voltage	O/P Current
6A-901DA12	12V	7.5A
6A-901DA15	15V	6.0A
6A-901DA19	19V	4.74A
6A-901DA24	24V	3.75A
6A-901DA48	48V	1.875A

**Specification:**

Input	Voltage	AC 90V~264V Universal Full Range
	Frequency	47-63Hz
	Current	1.5A
	Leakage Current	< 0.25mA
Others Protection	Start up time	< 3000mS @115VAC Full Load
	Rise time	<20mS
	Hold up time	>20mS @ 230Vac/50Hz input
	Protection	OCP/OVP/SCP
	Cooling	Natural Convection Cooling
Environment	Temperature	Operating: 0~40°C;Storage: -10~+70°C
	Humidity	Operating: 20%~85%;Storage: 10%~95%(Non Condensing)
M.T.B.F	50k Hours MIL-HDBK-217F @115VAC/ 230VAC Full Load Ambient : 25°C	
Safety Regulation	UL 62368-1, CSA C22.2 No.62368-1, IEC62368-1, EN62368-1	
	UL 60950-1, CSA C22.2 No.60950-1, IEC60950-1, EN60950-1	
EMC	EMI	FCC CFR 47 PART 15B, EN55032, EN61000-3
	EMS	EN55024(EN61204-3), EN61000-4

**英格爾科技股份有限公司**  
**ENG ELECTRIC CO.,LTD.**

台灣桃園市龜山區民生北路1段536號5樓  
5F., No. 536, Sec. 1, Minsheng N. Rd.,  
Gueishan Dist., Taoyuan City 33393,  
Taiwan (R.O.C.)



TEL:886-3-212-1122

FAX:886-3-212-1570

E-mail:eng@eng.com.tw

http://www.eng.com.tw

