



www.eng.com.tw

AC-DC 10W

6A-107WPxx

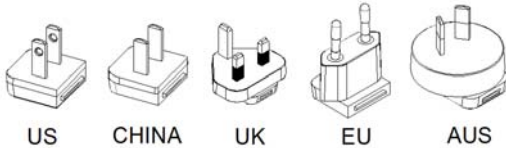
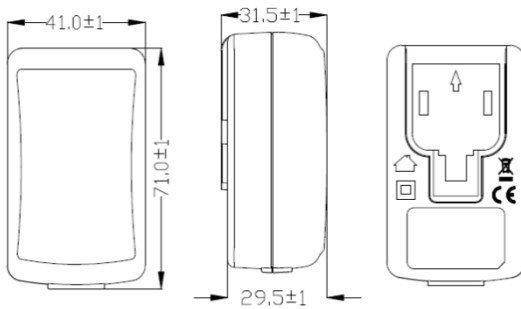
WALL-MOUNT (Interchangeable)

Features:

- IEC/EN/UL/CUL 60601
- Universal AC Input 90~264Vac
- Regulated Output With Low Ripple Noise
- 100% burn in test
- 1 year warranty
- WEEE / ROHS 2.0 / REACH 2.0
- Safety : UL/CUL,CB,CE,FCC



Dimension:



Model No.	O/P Voltage	O/P Current	O/P Watts
6A-107WP05B	5.0V	2.0A	10.0W
6A-107WP05	5.0V	2.0A	10.0W
6A-107WP09	9.0V	1.2A	10.8W
6A-107WP12	12.0V	1.1A	9.9W

Specification:

Input	Voltage	AC 90V~264V Universal Full Range
	Frequency	47-63Hz
	Current	500mA
	Leakage Current	< 0.1mA
Others Protection	Start up time	< 3000mS @115VAC Full Load
	Rise time	<20mS
	Hold up time	>20mS @ 230Vac/50Hz input
	Protection	OCP/OVP/SCP
	Cooling	Natural Convection Cooling
Environment	Temperature	Operating: 0~40℃;Storage: -10~+70℃
	Humidity	Operating: 20%~85%;Storage: 10%~95%(Non Condensing)
M.T.B.F	50K Hours MIL-HDBK-217F @115VAC/ 230VAC Full Load Ambient : 25℃	
Safety Regulation	ANSI/AAMI ES60601-1 , CAN/CSA-C22.2 No. 60601-1, IEC60601-1 , EN6060-1	
EMC	EMI	FCC CFR 47 PART 15B , EN55011 , EN61000-3
	EMS	EN55011(EN61204-3) , EN61000-4

英格爾科技股份有限公司
ENG ELECTRIC CO.,LTD.

台灣桃園市龜山區民生北路1段536號5樓
5F., No. 536, Sec. 1, Minsheng N. Rd.,
Gueishan Dist., Taoyuan City 33393,
Taiwan (R.O.C.)

TEL:886-3-212-1122

FAX:886-3-212-1570

E-mail:eng@eng.com.tw

http://www.eng.com.tw





www.eng.com.tw

AC-DC 40W

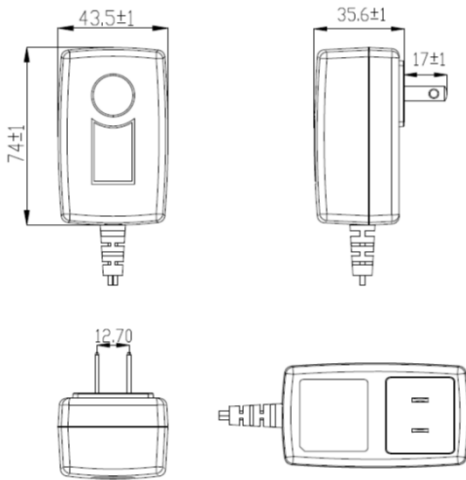
6A-407WUXX

WALL-MOUNT (Fixed type)

Features:

- IEC/EN/UL/CUL 60601
- Universal AC Input 90~264Vac
- Regulated Output With Low Ripple Noise
- 100% burn in test
- 1 year warranty
- WEEE / ROHS 2.0 / REACH 2.0
- Safety : UL/CUL,CB,CE,FCC

Dimension:



Model No.	O/P Voltage	O/P Current	O/P Watts
6A-407WU05	5.0V	6.0A	30.0W
6A-407WU09	9.0V	3.88A	34.92W
6A-407WU12	12.0V	3.0A	36.0W
6A-407WU24	24.0V	1.66A	39.84W
6A-407WU48	48.0V	0.83A	39.84W

Specification:

Input	Voltage	AC 90V~264V Universal Full Range
	Frequency	47-63Hz
	Current	800mA
	Leakage Current	< 0.1mA
Others Protection	Start up time	< 3000mS @115VAC Full Load
	Rise time	<100mS
	Hold up time	>15mS @ 230Vac/50Hz input
	Protection	OCP/OVP/SCP
	Cooling	Natural Convection Cooling
Environment	Temperature	Operating: 0~40°C;Storage: -10~+70°C
	Humidity	Operating: 20%~85%;Storage: 10%~95%(Non Condensing)
M.T.B.F	50K Hours MIL-HDBK-217F @115VAC/ 230VAC Full Load Ambient : 25°C	
Safety Regulation	ANSI/AAMI ES60601-1 , CAN/CSA-C22.2 No. 60601-1, IEC60601-1 , EN6060-1	
EMC	EMI	FCC CFR 47 PART 15B , EN55011 , EN61000-3
	EMS	EN55011(EN61204-3) , EN61000-4

英格爾科技股份有限公司
ENG ELECTRIC CO.,LTD.

台灣桃園市龜山區民生北路1段536號5樓
5F., No. 536, Sec. 1, Minsheng N. Rd.,
Gueishan Dist., Taoyuan City 33393,
Taiwan (R.O.C.)



TEL:886-3-212-1122 FAX:886-3-212-1570

E-mail:eng@eng.com.tw

http://www.eng.com.tw





AC-DC 40W

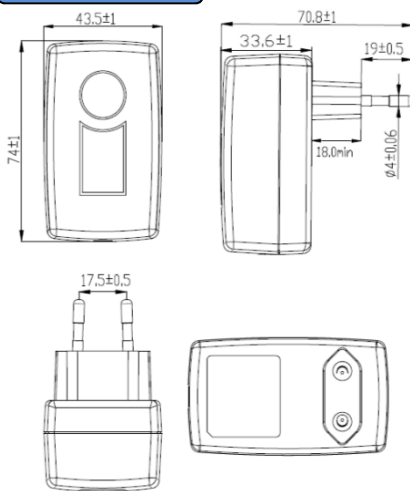
6A-407WTXX

WALL-MOUNT
(Fixed type)

Features:

- IEC/EN/UL/CUL 60601
- Universal AC Input 90~264Vac
- Regulated Output With Low Ripple Noise
- 100% burn in test
- 1 year warranty
- WEEE / ROHS 2.0 / REACH 2.0
- Safety : UL/CUL,CB,CE,FCC

Dimension:



Model No.	O/P Voltage	O/P Current	O/P Watts
6A-407WT05	5.0V	6.0A	30.0W
6A-407WT09	9.0V	3.88A	34.92W
6A-407WT12	12.0V	3.0A	36.0W
6A-407WT24	24.0V	1.66A	39.84W
6A-407WT48	48.0V	0.83A	39.84W

Specification:

Input	Voltage	AC 90V~264V Universal Full Range
	Frequency	47-63Hz
	Current	800mA
	Leakage Current	< 0.1mA
Others Protection	Start up time	< 3000mS @115VAC Full Load
	Rise time	<100mS
	Hold up time	>15mS @ 230Vac/50Hz input
	Protection	OCP/OVP/SCP
	Cooling	Natural Convection Cooling
Environment	Temperature	Operating: 0~40°C;Storage: -10~+70°C
	Humidity	Operating: 20%~85%;Storage: 10%~95%(Non Condensing)
M.T.B.F	50K Hours MIL-HDBK-217F @115VAC/ 230VAC Full Load Ambient : 25°C	
Safety Regulation	ANSI/AAMI ES60601-1 , CAN/CSA-C22.2 No. 60601-1, IEC60601-1 , EN6060-1	
EMC	EMI	FCC CFR 47 PART 15B , EN55011 , EN61000-3
	EMS	EN55011(EN61204-3) , EN61000-4

英格爾科技股份有限公司
ENG ELECTRIC CO.,LTD.

台灣桃園市龜山區民生北路1段536號5樓
5F., No. 536, Sec. 1, Minsheng N. Rd.,
Gueishan Dist., Taoyuan City 33393,
Taiwan (R.O.C.)

TEL:886-3-212-1122 FAX:886-3-212-1570

E-mail:eng@eng.com.tw

http://www.eng.com.tw





AC-DC 40W

6A-407WPXX

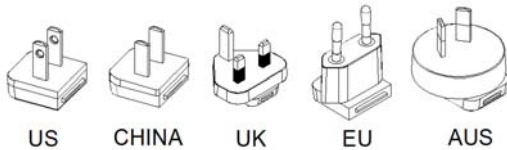
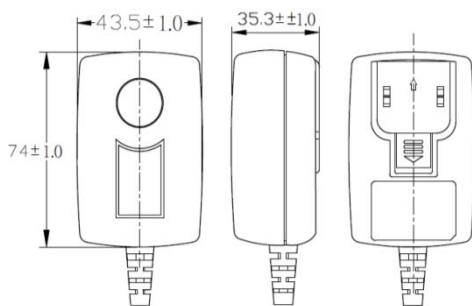
WALL-MOUNT
(Interchangeable)

Features:

- IEC/EN/UL/CUL 60601
- Universal AC Input 90~264Vac
- Regulated Output With Low Ripple Noise
- 100% burn in test
- 1 year warranty
- WEEE / ROHS 2.0 / REACH 2.0
- Safety : UL/CUL,CB,CE,FCC



Dimension:



Model No.	O/P Voltage	O/P Current	O/P Watts
6A-407WP05	5.0V	6.0A	30.0W
6A-407WP09	9.0V	3.88A	34.92W
6A-407WP12	12.0V	3.0A	36.0W
6A-407WP24	24.0V	1.66A	39.84W
6A-407WP48	48.0V	0.83A	39.84W

Specification:

Input	Voltage	AC 90V~264V Universal Full Range
	Frequency	47-63Hz
	Current	800mA
	Leakage Current	< 0.1mA
Others Protection	Start up time	< 300mS @115VAC Full Load
	Rise time	<100mS
	Hold up time	>15mS @ 230Vac/50Hz input
	Protection	OCP/OVP/SCP
	Cooling	Natural Convection Cooling
Environment	Temperature	Operating: 0~40°C;Storage: -10~+70°C
	Humidity	Operating: 20%~85%;Storage: 10%~95%(Non Condensing)
M.T.B.F	50K Hours MIL-HDBK-217F @115VAC/ 230VAC Full Load Ambient : 25°C	
Safety Regulation	ANSI/AAMI ES60601-1 , CAN/CSA-C22.2 No. 60601-1, IEC60601-1 , EN6060-1	
EMC	EMI	FCC CFR 47 PART 15B , EN55011 , EN61000-3
	EMS	EN55011(EN61204-3) , EN61000-4

英格爾科技股份有限公司
ENG ELECTRIC CO.,LTD.

台灣桃園市龜山區民生北路1段536號5樓
5F., No. 536, Sec. 1, Minsheng N. Rd.,
Gueishan Dist., Taoyuan City 33393,
Taiwan (R.O.C.)

TEL:886-3-212-1122 FAX:886-3-212-1570

E-mail:eng@eng.com.tw

http://www.eng.com.tw





AC-DC 40W

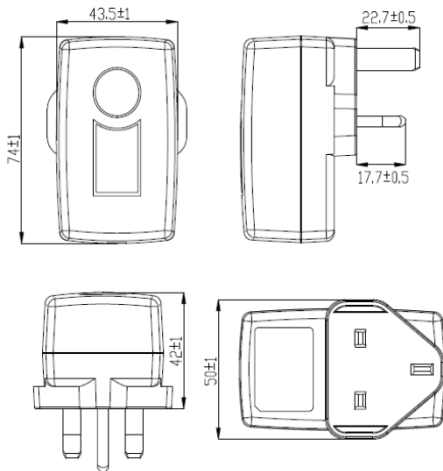
6A-407WEXX

WALL-MOUNT
(Fixed type)

Features:

- IEC/EN/UL/CUL 60601
- Universal AC Input 90~264Vac
- Regulated Output With Low Ripple Noise
- 100% burn in test
- 1 year warranty
- WEEE / ROHS 2.0 / REACH 2.0
- Safety : UL/CUL,CB,CE,FCC

Dimension:



Model No.	O/P Voltage	O/P Current	O/P Watts
6A-407WE05	5.0V	6.0A	30.0W
6A-407WE09	9.0V	3.88A	34.92W
6A-407WE12	12.0V	3.0A	36.0W
6A-407WE24	24.0V	1.66A	39.84W
6A-407WE48	48.0V	0.83A	39.84W

Specification:

Input	Voltage	AC 90V~264V Universal Full Range
	Frequency	47-63Hz
	Current	800mA
	Leakage Current	< 0.1mA
Others Protection	Start up time	< 3000mS @115VAC Full Load
	Rise time	<100mS
	Hold up time	>15mS @ 230Vac/50Hz input
	Protection	OCP/OVP/SCP
	Cooling	Natural Convection Cooling
Environment	Temperature	Operating: 0~40°C;Storage: -10~+70°C
	Humidity	Operating: 20%~85%;Storage: 10%~95%(Non Condensing)
M.T.B.F	50K Hours MIL-HDBK-217F @115VAC/ 230VAC Full Load Ambient : 25°C	
Safety Regulation	ANSI/AAMI ES60601-1 , CAN/CSA-C22.2 No. 60601-1, IEC60601-1 , EN6060-1	
EMC	EMI	FCC CFR 47 PART 15B , EN55011 , EN61000-3
	EMS	EN55011(EN61204-3) , EN61000-4

英格爾科技股份有限公司
ENG ELECTRIC CO.,LTD.

台灣桃園市龜山區民生北路1段536號5樓
5F., No. 536, Sec. 1, Minsheng N. Rd.,
Gueishan Dist., Taoyuan City 33393,
Taiwan (R.O.C.)



TEL:886-3-212-1122 FAX:886-3-212-1570

E-mail:eng@eng.com.tw

http://www.eng.com.tw

